



ALIA VALVE

2-Valve Manifolds / 3-Valve Manifolds / 5-Valve Manifolds

Model AHV400 Series

GENERAL

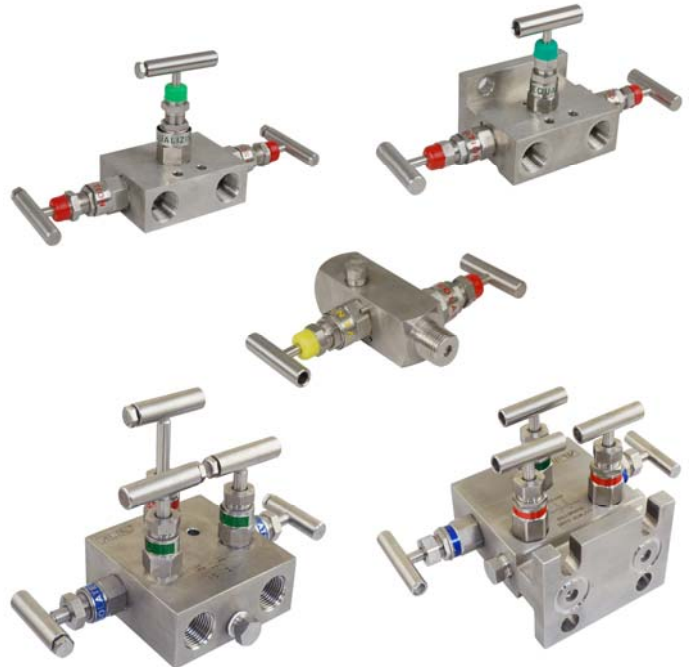
ALIA VALVE AHV400 series manifolds feature a horizontal body design. Manifolds are constructed out of bar-stock and forged material in 316 Stainless Steel as Standard.

Standard models are available in 2-, 3-, 5-way configurations together with a full range of connection types; custom designs are available on demand.

Each manifold undergoes hydraulic pressure, pneumatic pressure, vacuum, vibration and thermal stability testing to ensure product integrity.

FEATURES

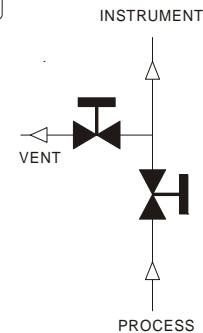
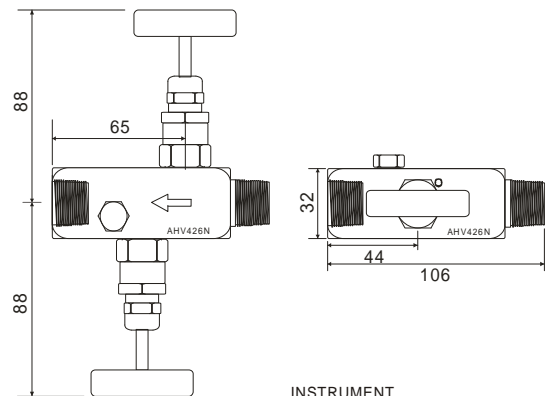
- ❑ All 316 Stainless steel construction
- ❑ Convenient method for blocking, exhausting, and calibrating pressure instruments
- ❑ Flange seals and flange bolts are included with manifold
- ❑ Designed for connecting system impulse line & transmitter
- ❑ Special hardened ball seat is ideal for both gas and liquid service
- ❑ All stem packing is located below to stem threads presenting galling, corrosion and contamination
- ❑ One piece construction for higher pressure



Double Block & Bleed Gauge Valves

Design for use with gauges, switch or pressure transmitter. These gauge valve incorporates two-valve with single outlet that combines isolation, calibration and ventilation.

- Model : AHV426N
- Test Pressure : @ 25 °C Room Temperature
 - Hydrostatic : Body - 620 Bar
 - : Seat - 415 Bar
 - Pneumatic : Seat - 40 Bar
 - Gland Packing : PTFE
- Material
 - Body : Stainless Steel 316
 - Wetted parts : Stainless Steel 316
 - Plate : Stainless Steel 316
- Max. Temperature : 180 °C
- Connections
 - Process : 1/2" NPT (Male)
 - Instrument : 1/2" NPT (Female)



ALIA TECHNOLOGY LLC

633 W. 5th Street, 26th Floor, Los Angeles, CA 90071, USA
 TEL : + 1 - 213 - 533 - 4139 FAX : + 1 - 213 - 223 - 2317

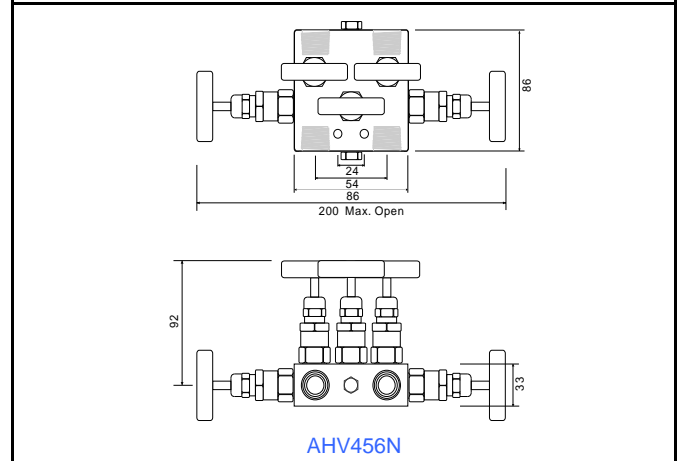
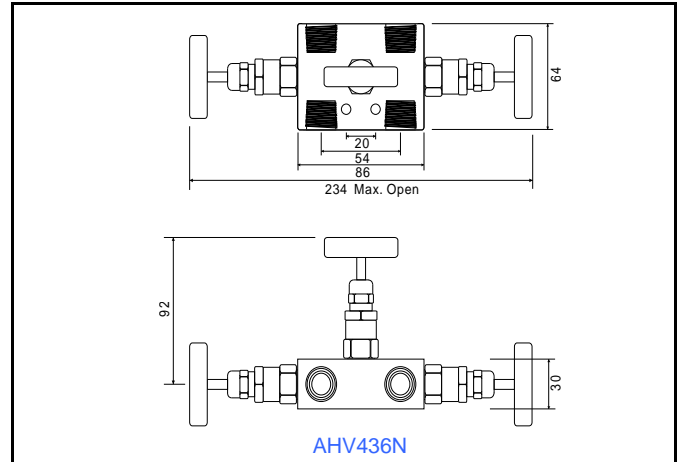


URL : www.alia-inc.com
 E-mail : alia@alia-inc.com
 AHV400V1.2.1.r1.A4.en

➤ Separately Mounted 3-,5-Valve Manifold

Designed for applications to facilitate remote mounting of Differential Pressure instruments. Dimensions shown right are for the standard 54 mm or 2-1/8" instrument connection. Centre distance found in majority of instruments. Useful for installations in remote fields eliminating conventional method of piping.

- Model : AHV436N / AHV456N
- Test Pressure : @ 25 °C Room Temperature
 - Hydrostatic : Body - 620 Bar
 - : Seat - 415 Bar
 - Pneumatic : Seat - 40 Bar
 - Gland Packing : PTFE
- Material
 - Body : Stainless Steel 316
 - Wetted parts : Stainless Steel 316
 - Plate : Stainless Steel 316
- Max. Temperature : 180 °C
- Connections
 - Process : 1/2" NPT (Female)
 - Instrument : 1/2" NPT (Female)



➤ T-Type Direct Mounting 3-,5-Valve Manifold

Designed for applications to facilitate remote mounting of Differential Pressure instruments. Dimensions shown above are for the standard 54 mm or 2-1/8" instrument connection. Centre distance found in majority of instruments. Useful for installations in remote fields eliminating conventional method of piping.

- Model : AHV436T / AHV456T
- Test Pressure : @ 25 °C Room Temperature
 - Hydrostatic : Body - 620 Bar
 - : Seat - 415 Bar
 - Pneumatic : Seat - 40 Bar
 - Gland Packing : PTFE
- Material
 - Body : Stainless Steel 316
 - Wetted parts : Stainless Steel 316
 - Plate : Stainless Steel 316
- Max. Temperature : 180 °C
- Connections
 - Process : 1/2" NPT (Female)
 - Instrument : Direct on instrument

