



ALIAMAG

Electromagnetic Flow Converter with Thermal Energy

Model AMC3200E Series

GENERAL

ALIAMAG AMC3200E series is a heat meter converter of electromagnetic flowmeter that can be paired with any of ALIA AMF series sensors. The unit features multiple display parameters including flow rate, energy, flow total, energy total, supply temperature, return temperature, diagnostic, programming and troubleshooting. It's equipped with Modbus, Bluetooth and BACnet protocol.

FEATURES

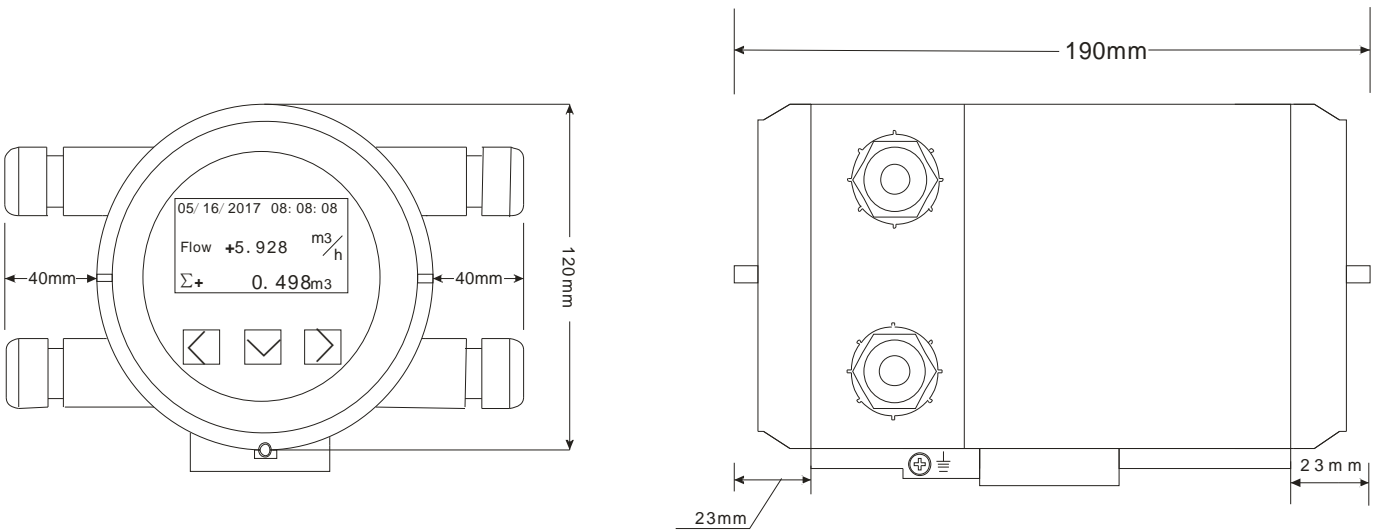
- ❑ Four line LCD display Flow Rate / Energy / Totalizer / Temperature
- ❑ +/-0.2% value of reading
- ❑ Bi-direction flow measurement, and the display can rotate
- ❑ With hourly report, daily report, monthly report and yearly report query function
- ❑ 99 times/dates records for alarm
- ❑ 99 (total) times records for power on/ off
- ❑ MODBUS, Bluetooth, BACnet protocol

STANDARD SPECIFICATION

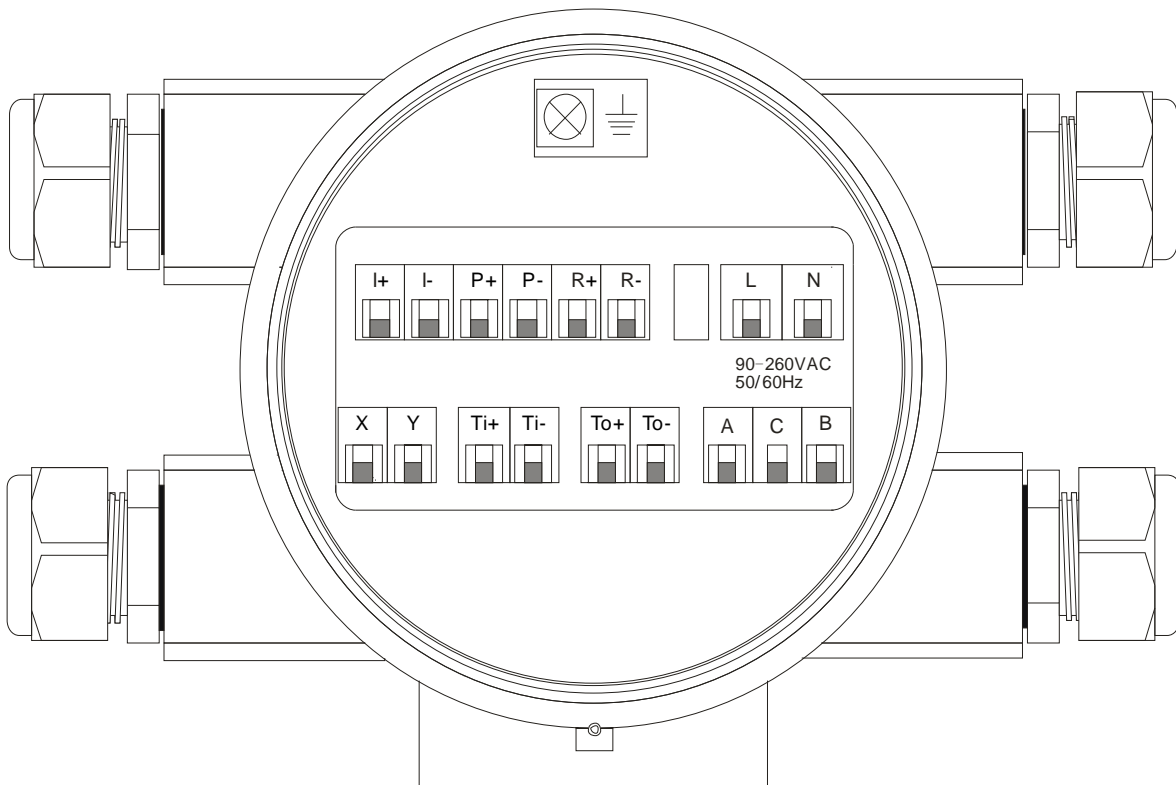
- | | | | |
|-------------------|---|------------------------|--|
| ● Excitation | : DC Plused | ● Keypad | : 3 external keys for programming and display control |
| ● Display | : 4 lines LCD with backlight | ● Low Flow Cutoff | : 0 to 9.9 % |
| Line 1 | : Date and Time | ● Data Logger Function | : 99 date/ time records for alarm |
| Line 2 | : 6 digit flowrate
6 digit energy value
Error code
Supply temperature | ● Record Data | : Date /time of power on/ off
: 99 years flow rate / energy / temperature / total flow / total energy
Record data every one hour |
| Line 3 | : 9 digit totalizer for forward flow / reverse flow
9 digit totalizer for heat / cold energy
Error code content
Return temperature | ● Damping | : 0.1 to 99.9 s |
| Line 4 | : Differential temperature | ● Self Diagnosis | : The following error message are displayed if failure occurs |
| Unit | : L/S, L/M, L/H, M3/S, M3/m, M3/H, ML/H, ML/m
ML/S, KW, MW, KJ/H, MJ/H, GJ/H, Mcal/H
Kcal/H, Cal/H | - Coil failure | |
| ● Measuring Range | : Min. 0 to 0.15 m/s
: Max. 0 to 15 m/s | - Temperature failure | |
| ● Accuracy | : +/-0.2% of reading (Velocity ≥ 0.5 m/s)
: +/-0.001 m/s (Velocity < 0.5 m/s) | - Temperature anomaly | |
| ● Repeatability | : +/-0.05% of reading | - Zero point anomaly | |
| ● Current Output | : 4-20 mA (isolated) | - Empty pipe | |
| Load | : Max. 600 Ω | - EEPROM anomaly | |
| ● Pulse Output | : Open collector | ● Cable Entry | : Standard: M20 Option: 1/2"NPTF |
| Rating | : 3 to 30 VDC, 50 mA Max. | ● Protection Class | : IP 67 |
| ● Pulse Rate | : 1) Scale pulse, (L/Pulse,Other)
: 2) Frequency: 0-5000 Hz | ● Ambient Temperature | : -25 to + 65 °C |
| ● Communication | : Bluetooth (Apply to Android System)
RS485 (MODBUS Protocol) / BACnet | ● Material | : Aluminum Alloy |
| ● Data Storage | : Operation parameters and totalizer figures are stored by EEPROM for more than 10 years | ● Temperature Input | : PT1000, 2 wire |
| | | ● Power Supply | : 90-260 VAC, 50/60 Hz |
| | | ● | : 24VDC +/-10% (Option) |
| | | ● Power Consumption | : 10~20 W (Dependent on sensor size) |
| | | ● Weight | : 4.5 Kg |
| | | ● Mounting | : Bracket on 2" pipe |



➤ DIMENSIONS



➤ WIRING DIAGRAM



I+: 4-20mA Output +
I-: 4-20mA Output -

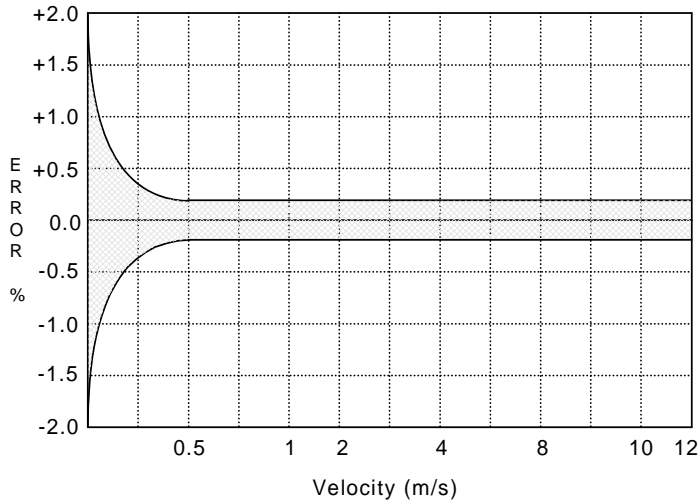
Ti+: Supply temperature
Ti-: Supply temperature

To+: Return temperature
To-: Return temperature

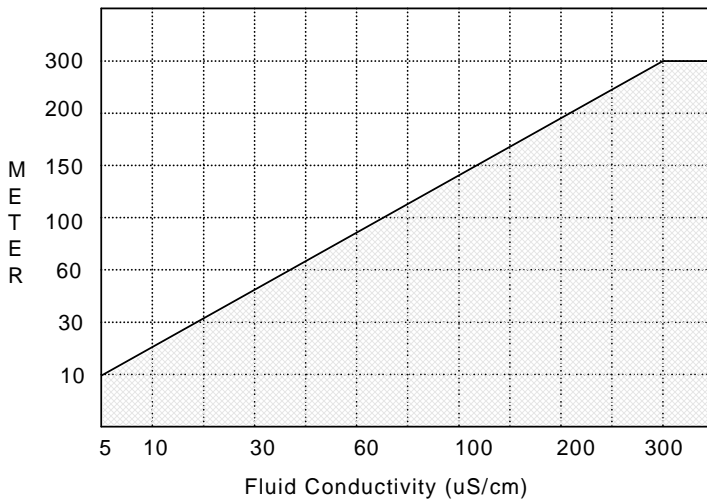
P+: Pulse Output +
P-: Pulse Output -

R+: RS485 Output +
R-: RS485 Output -

➤ ACCURACY



➤ CABLE LENGTH BETWEEN SENSOR & CONVERTER



➤ MODEL SELECTION GUIDE

AMC3200E Series					
Example: AMC3200E-AC-CP-NN-NN					
AMC3200E-	XX-	XX-	XX-	XX	Description
Power supply	AC-				90-260 VAC, 50/60 Hz
	DC-				24VDC, +/-10%
Mounting	CP-				Compact with sensor
	S2-				Separate, 2" Mounting Bracket or Wall Mounting
Communication		NN-			RS485 (MODBUS protocol), Bluetooth, BACnet
Option		NN			None
		PT			Cable Entry 1/2"NPTF

➤ BUILD OPTIONS- (COMPACT OR REMOTE)

