

GENERAL

ALIAMAG AMF601 Series is a sanitary type electromagnetic flowmeter ideal for conductive liquids. It comes in sizes from 25mm to 100 mm. The AMF601 is widely used for drink water, milk, food & beverage juice and many other industrial fluid.

AMF601 Series electromagnetic flowmeter could be used in compact or separate model with AMC Series converter of electromagnetic flowmeter.

FEATURES

- ❑ Light and compact version
- ❑ Flow Velocity range: 0-12 m/s, precise in low flow applications
- ❑ IDF Tri-Clamp or Union screw Connection
- ❑ Excellent for high pressure application
- ❑ Protection class: IP68 available; sensor submersible
- ❑ PTFE Liner is suitable for vacuum tube
- ❑ High accuracy of +/-0.4% value of reading (or +/-0.2% value of reading)
- ❑ With Forward / Reverse flowrate measurement function

STANDARD SPECIFICATION

- | | | | |
|--------------------|--|------------------------|--|
| ● Size | : 25, 32, 40, 50, 65, 80, 100 mm
1", 1-1/4", 1-1/2", 2", 2-1/2", 3", 4" | ● Cable Entry | : Standard :M20 Option:1/2"NPTF |
| ● Measuring Range | : Velocity 0-0.25 m/s min.
0-12 m/s max. | ● Ambient Temperature | : -25 to +60 °C |
| ● Material | | ● Process Connection | : IDF Tri-Clamp
Union Screw |
| Tube & Connection | : Stainless Steel 304 or 316 | ● Grounding Resistance | : Must be less than 10 Ω |
| Coil Housing | : Stainless Steel 304 (Standard)
Stainless Steel 316 (Option) | ● Accuracy | : +/-0.5% reading (Velocity ≥ 0.5m/s)
+/-0.2% reading
(Suitable for AMC3200/3200E converter)
+/-0.0025 m/s (Velocity < 0.5 m/s) |
| Liner | : PTFE | ● Temperature | : -40 to +150 °C |
| Electrode | : Stainless Steel 316L
Hastelloy B
Hastelloy C
Titanium
Tantalum
Tungsten Carbide
Platinum | ● Max. Pressure | : 10 Kg/cm ² (Standard)
40 Kg/cm ² (Option) |
| ● Protection Class | : Junction box IP67, Body IP68
IP68 (Submersible) | ● Explosion Proof | : Exd(ib)ibqIBT5
(with AMC3200 only) |
| ● Conductivity | : More than 5 uS/cm | | |

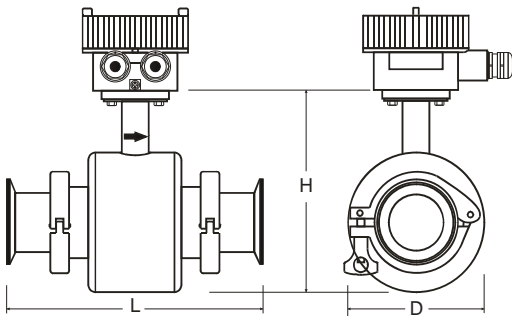


FLOW RANGE

Unit: M³/Hr

Normal Size		Flow Range & Velocity Table						
mm	Inch	Min. 0 - 0.25M/S	1.0 M/S	2.0 M/S	3.0 M/S	5.0 M/S	10.0 M/S	Max. 0 - 12 M/S
25	1"	0 to 0.44	1.77	3.53	5.30	8.84	17.7	0 to 21.2
32	1-1/4"	0 to 0.72	2.90	5.79	8.69	14.5	29.0	0 to 34.7
40	1-1/2"	0 to 1.13	4.52	9.05	13.6	22.6	45.2	0 to 54.3
50	2"	0 to 1.77	7.07	14.1	21.2	35.3	70.7	0 to 84.8
65	2-1/2"	0 to 2.99	11.9	23.9	35.8	59.7	119	0 to 143
80	3"	0 to 4.52	18.1	36.2	54.3	90.5	181	0 to 217
100	4"	0 to 7.07	28.3	56.5	84.8	141	283	0 to 339

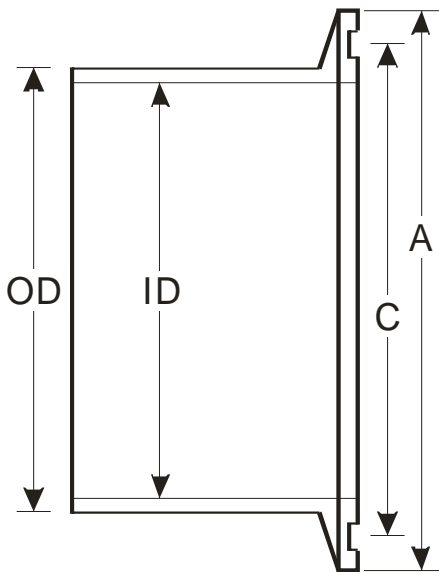
DIMENSIONS



Size		Dimensions (mm)			Weight
mm	Inch	L	D	H	Kg
25	1"	220	99	160	2.6
32	1-1/4"	220	104	165	3.1
40	1-1/2"	220	104	165	4.1
50	2"	250	124	185	4.9
65	2-1/2"	250	144	205	6.1
80	3"	250	154	215	8.1
100	4"	290	192	253	9.0

TRI-CLAMP SPECIFICATIONS

Unit: mm

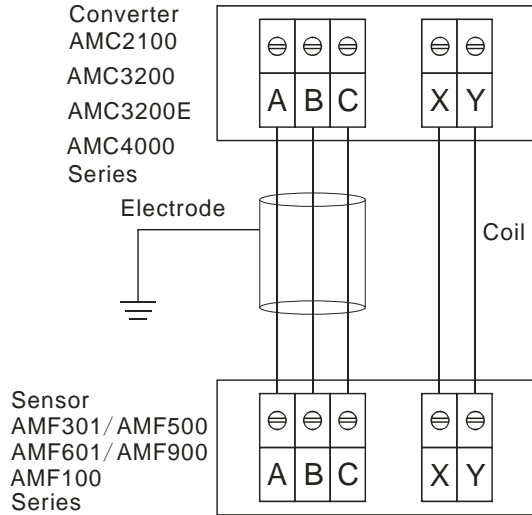


		HAB					
Pipe Size	1"	1-1/2"	2"	2-1/2"	3"	4"	
	25	40	50	65	80	100	
ID	22.1	34.8	47.5	60.2	72.9	97.4	
OD	25.4	38.1	50.8	63.5	76.2	101.6	
A	50.4	50.4	64.0	77.4	91.0	118.9	
C	43.6	43.6	56.3	70.6	83.3	110.3	

		HDB (DIN 32676)					
Pipe Size	1"	1-1/4"	1-1/2"	2"	2-1/2"	3"	4"
	25	32	40	50	65	80	100
ID	26.0	32.0	38.0	50.0	66.0	81.0	100
OD	30.0	36.0	42.0	54.0	70.0	85.0	104
A	50.5	50.5	50.5	64.0	91.0	106	119
C	43.5	43.5	43.5	56.5	83.5	97.0	110

		HKB (ISO 2852)					
Pipe Size	1"	1-1/4"	1-1/2"	2"	2-1/2"	3"	4"
	25	32	40	50	65	80	100
ID	22.6	31.3	35.6	48.6	60.3	72.9	97.6
OD	25.6	34.3	38.6	51.6	64.1	76.7	102.5
A	50.5	50.5	50.5	64.0	77.5	91.0	119
C	43.5	43.5	43.5	56.5	70.5	83.5	110

➤ WIRING DIAGRAM



➤ MODEL SELECTION GUIDE

AMF601 Series							
Example:AMF601-080-SK6-030-X/P							
AMF601-	XXX	-X	X	X-	XXX	-X	Description
Size	025 ~ 100					25 ~ 100mm	
Electrode Material	-S					Stainless Steel 316L	
	-T					Titanium	
	-B					Hastelloy B	
	-C					Hastelloy C	
	-A					Tantalum	
	-P					Platinum	
	-U					Tungsten Carbide	
	-Z					Others	
Process Connection	A					Tri-Clamps, HAB	
	D					Tri-Clamps, HDB (DIN 32676)	
	K					Tri-Clamps, HKB (ISO2852)	
	S					Screw Unions (DIN 11851)	
Connections / Housing Material	4-					S.S.304 Connections / S.S.304 Housing	
	6-					S.S.316 Connections / S.S.304 Housing	
	9-					S.S.316 Connections / S.S.316 Housing	
Installation & Cable Length	NNN					Compact Version	
	010~300					Separate Version, Cable 10M ~ 300M	
Option	-N					None	
	-X					Explosion Proof, Exd(ib)ibqIIBT5 (with AMC3200 Only)	
	-P					Pressure Higher Than 10 Kg/cm2	
	-T1					Max. Temp.:120-140 °C	
	-T2					Max. Temp.:140-150 °C	
	-PT					Cable Entry 1/2" NPTF	

➤ BUILD OPTIONS-(COMPACT OR REMOTE)

