

GENERAL

ALIAMAG AMF900 Series is a flange type electromagnetic flowmeter ideal for conductive liquids. It comes in sizes from 10A to 2000mm.

AMF900 is widely used for sewage, industrial waste, chemical, solvent, food & beverage, pulp & paper and many other industrial fluid.

AMF900 Series electromagnetic flowmeter could be used in compact or separate model with AMC Series converter of electromagnetic flowmeter.

FEATURES

- Various liner and electrode satisfy most industrial applications
- Flow Velocity range: 0-12 m/s, precise in low flow applications
- It comes any flanges such as, ANSI, DIN, JIS... etc
- Excellent for high pressure application
- Protection class: IP68 available; sensor submersible
- FEP Liner is suitable for vacuum tube
- High accuracy of +/-0.4% value of reading (or +/-0.2% value of reading)
- With Forward/Reverse flowrate measurement function
- It has electrode cleaning function

STANDARD SPECIFICATION

- | | | | |
|--------------------|---|-------------------------|---|
| ● Size | : 10A,10,15,20, 25,32,40,50,65,80,100,125
150,200,250,300,350,400,450,500,600
700,800,900,1000,1200,1400,1600
1800,2000 mm | ● Electrode & Grounding | : Stainless Steel 316L
: Hastelloy B
: Hastelloy C
: Titanium
: Tantalum
: Platinum
: Tungsten Carbide |
| ● Measuring Range | : Velocity 0 - 0.25 m/s min.
0 - 12 m/s max. | ● Grounding Electrode | : DN10A/10: use Grounding Ring *1pc
: DN15-2000: 3 Electrodes |
| ● Material | Measuring Tube : Stainless Steel 304
Flange : Carbon Steel (Standard)
: Stainless Steel 304 (Option)
: Stainless Steel 316, 316L (Option)
Coil Housing : Carbon Steel (Standard)
: Stainless Steel 304 (Option)
: Stainless Steel 316,316L (Option) | ● Process Connection | : Flange |
| ● Liner | : Polyurethane (25-400 mm)
: Neoprene (100-2000 mm)
: FEP (10A-300 mm)
: PTFE (10A-2000 mm)
: PFA (10A-300 mm) | ● Flange Type | : JIS 10K / JIS 20K / JIS 40K
ANSI 150# / ANSI 300# / ANSI 600#
DIN PN 10 / PN 16 / PN25 / PN 40 |
| ● Protection Class | : Junction box IP67, Body IP68
: IP 68 (Submersible) | ● Grounding Resistance | : Must be less than 10 Ω |
| ● Conductivity | : More than 5 uS/cm | ● Accuracy | : +/-0.4% of reading (Velocity ≥ 0.5 m/s)
: +/-0.0025 m/s (Velocity < 0.5 m/s)
: +/-0.2% of reading
(Suitable for AMC3200/3200E converter) |
| ● Explosion Proof | : Exd(ib)IIBT5
(with AMC3200 only) | ● Temperature | : -10 ~ +60 °C(Polyurethane, PU)
: -20 ~ +70 °C(Neoprene)
: -40 ~ +120 °C(PTFE 3/8"to 10")
: -40~+140 °C(PTFE 3/8"to6", FEP 3/8"to12")
: -40~+180 °C(PTFE 3/8"to3", PFA3/8"to12") |
| ● Cable Entry | Standard :M20 Option:1/2"NPTF | ● Ambient Temperature | : -25 to +60 °C |
| | | ● Max. Pressure | : 350 Kg/cm2 |



ALIA TECHNOLOGY LLC

633 W. 5th Street, 26th Floor, Los Angeles, CA 90071, USA
TEL : + 1- 213 - 533 - 4139 FAX : + 1 - 213 - 223 - 2317



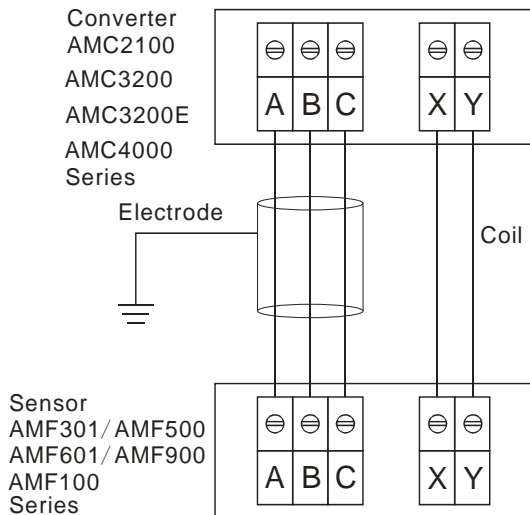
URL : www.alia-inc.com
E-mail : alia@alia-inc.com
AMF900V1.2.1.r1.A4.en

FLOW RANGE

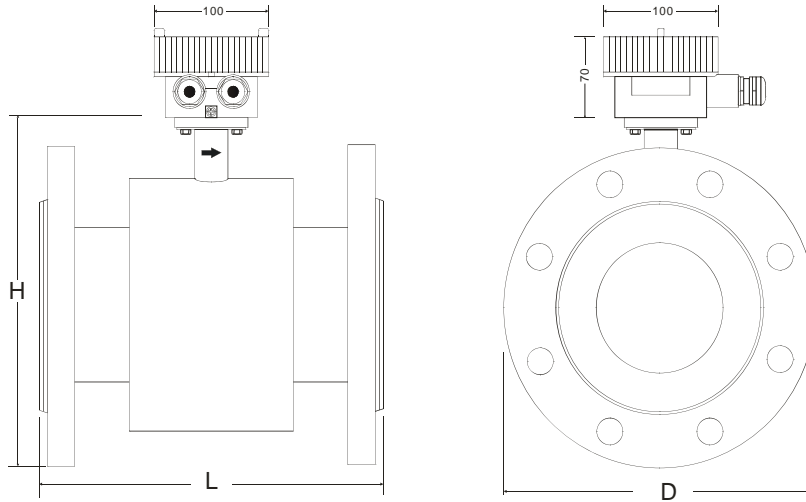
Unit: M3/Hr

Normal Size		Flow Range & Velocity Table						
mm	Inch	Min.						Max.
		0 - 0.25M/S	1.0 M/S	2.0 M/S	3.0 M/S	5.0 M/S	10.0 M/S	0 - 12 M/S
10A	3/8"A	Applicable to 25-500L/Hr and accuracy +/-0.2~0.4% of reading (Depends on converter type)						
10	3/8"	0 to 0.071	0.28	0.57	0.85	1.41	2.83	0 to 3.39
15	1/2"	0 to 0.16	0.64	1.27	1.91	3.18	6.36	0 to 7.63
20	3/4"	0 to 0.28	1.13	2.26	3.39	5.65	11.3	0 to 13.6
25	1"	0 to 0.44	1.77	3.53	5.30	8.84	17.7	0 to 21.2
32	1-1/4"	0 to 0.72	2.90	5.79	8.69	14.5	29.0	0 to 34.7
40	1-1/2"	0 to 1.13	4.52	9.05	13.6	22.6	45.2	0 to 54.3
50	2"	0 to 1.77	7.07	14.1	21.2	35.3	70.7	0 to 84.8
65	2-1/2"	0 to 2.99	11.9	23.9	35.8	59.7	119	0 to 143
80	3"	0 to 4.52	18.1	36.2	54.3	90.5	181	0 to 217
100	4"	0 to 7.07	28.3	56.5	84.8	141.4	283	0 to 339
125	5"	0 to 11.0	44.2	88.4	133	220.9	442	0 to 530
150	6"	0 to 15.9	63.6	127	191	318.1	636	0 to 763
200	8"	0 to 28.3	113	226	339	565.5	1131	0 to 1357
250	10"	0 to 44.2	177	353	530	883.6	1767	0 to 2121
300	12"	0 to 63.6	254	509	763	1272	2545	0 to 3054
350	14"	0 to 86.6	346	693	1039	1732	3464	0 to 4156
400	16"	0 to 113	452	905	1357	2262	4524	0 to 5429
450	18"	0 to 143	573	1145	1718	2863	5725	0 to 6871
500	20"	0 to 177	707	1414	2121	3534	7068	0 to 8482
600	24"	0 to 254	1018	2036	3054	5089	10179	0 to 12214
700	28"	0 to 346	1385	2771	4156	6927	13854	0 to 16625
800	32"	0 to 452	1810	3619	5429	9048	18095	0 to 21714
900	36"	0 to 573	2290	4580	6871	11451	22902	0 to 27482
1000	40"	0 to 707	2827	5655	8482	14137	28274	0 to 33928
1200	48"	0 to 1018	4071	8143	12214	20357	40714	0 to 48857
1400	56"	0 to 1385	5542	11083	16625	27708	55417	0 to 66500
1600	64"	0 to 1810	7238	14476	21714	36190	72381	0 to 86857
1800	72"	0 to 2290	9161	18321	27482	45803	91607	0 to 109928
2000	80"	0 to 2827	11309	22619	33928	56547	113095	0 to 135714

WIRING DIAGRAM



➤ DIMENSIONS



Size (mm)	Standard Pressure Kg/cm2	Liner Material				Dimensions (mm)			Weight Kg	
		FEP / PFA	Neoprene	Polyurethane	PTFE	L	D	H		
10A	40	⊙			⊙	120	90	145	3.5	
10		⊙			⊙	120			3.5	
15		⊙			⊙	150	95	155	3.5	
20		⊙			⊙		105	160	4.5	
25		⊙		⊙	⊙		115	166	4.5	
32		⊙		⊙	⊙		140	180	6.5	
40		⊙		⊙	⊙	150	190	7.0		
50		⊙		⊙	⊙	200	165	201	9.5	
65		⊙		⊙	⊙		185	220	12	
80		⊙		⊙	⊙		200	235	15	
100	16	⊙	⊙	⊙	⊙	250	220	254	17	
125		⊙	⊙	⊙	⊙		250	284	21	
150		⊙	⊙	⊙	⊙	300	285	314	28	
200	10	⊙	⊙	⊙	⊙	350	340	369	36	
250		⊙	⊙	⊙	⊙	400	395	430	49	
300		⊙	⊙	⊙	⊙	450	445	480	61	
350			⊙	⊙	⊙		505	540	79	
400			⊙	⊙	⊙	500	565	600	99	
450			⊙		⊙	600	615	640	121	
500			⊙		⊙		670	700	143	
600			⊙		⊙		780	800	187	
700				⊙		⊙	700	895	910	260
800				⊙		⊙	800	1015	1020	342
900			⊙		⊙	900	1115	1120	420	
1000			⊙		⊙	1000	1230	1230	503	
1200	6		⊙		⊙	1200	1405	1405	666	
1400			⊙		⊙	1400	1630	1630	1036	
1600			⊙		⊙	1600	1830	1830	1333	
1800			⊙		⊙	1800	2045	2045	1720	
2000			⊙		⊙	2000	2265	2265	2190	

Note: ⊙ Standard

Weight & Dimension D & H only for DIN flange

MODEL SELECTION GUIDE

AMF900 Series										
Example:AMF900-P0100-CAE84-010-T1										
AMF900-	X	XXXX-	X	X	X	X	X-	XXX	-X	Description
Liner	N									Chloroprene Rubber (Neoprene)(100 ~ 2000mm, 4" ~ 80")
	F									FEP (10A ~ 300mm, 3/8"A ~ 12")
	P									PTFE (10A ~ 2000mm, 3/8"A ~ 80")
	A									PFA (10A ~ 300mm, 3/8"A ~ 12")
	O									Polyurethane (25 ~ 400mm, 1" ~ 16")
Size	10A ~ 2000									10A ~ 2000mm
Electrode Material	-S									Stainless Steel 316L
	-T									Titanium
	-B									Hastelloy B
	-C									Hastelloy C
	-A									Tantalum
	-P									Platinum (DN15~DN2000)
	-U									Tungsten Carbide
	-Z									Others
Process Connection	1									PN10
	2									PN16
	3									PN25
	4									PN40
	A									ANSI 150 #
	B									ANSI 300 #
	C									ANSI 600 #
	J									JIS 10K
	K									JIS 20K
	L									JIS 40K
	Z									Others
	Grounding	N								
E										Grounding Electrode (3 Electrodes); Note: see page #1
R										Grounding Ring(Stainless Steel 316)
A										Grounding & Protection Ring (Stainless Steel 316)
Protection Class	8									Junction box IP67, Body IP68
	9									IP68 (Submersible, Separate with Converter Only)
Flange & Housing	0-									Carbon Steel (Standard)
	4-									S.S.304 Flange
	6-									S.S.316 Flange
	8-									S.S.304 Flange & Housing
	9-									S.S.316 Flange & Housing
Installation & Cable Length	NNN									Compact Version
	010~300									Separate Version, Cable 10M ~ 300M
Option	-N									None
	-X									Explosion Proof, Exd(ib)ibqIIBT5 (with AMC3200 only)
	-T1									Max. Temp.:120-140 °C
	-T2									Max. Temp.:141-180 °C
	-PT									Cable Entry 1/2" NPTF
	-CD									Electrode Cleaning Device (Only for 2 Electrodes(316L), Size>=4")