

MultiSafe-MX

Large range of I/O
Repeater panel
Customer specific interface

Addressable modules and software



The MultiSafe-MX offers a large choice of configurations and suits the requirements of many industrial sites.

Flexibility

The MultiSafe-MX interfaces with devices using either conventional and/or addressable module inputs and outputs. These modules are used to tailor the system to customer requirements.

Safety

The MultiSafe-MX panel can be used to produce SIL2 and SIL3 compliant systems.

Features

Large choice of cards and modules

Redundant CPU

Dependable power supplies

Interface conforms to standards

Cards interconnected on redundant bus

Benefits

Flexible configurations (conventional, addressable, bus)

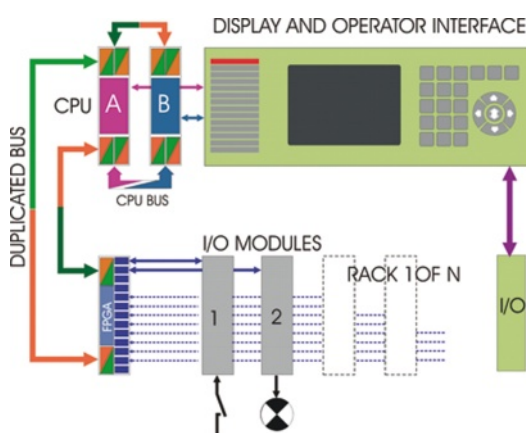
SIL2 or SIL3 safety level

Conformity to EN 54-4

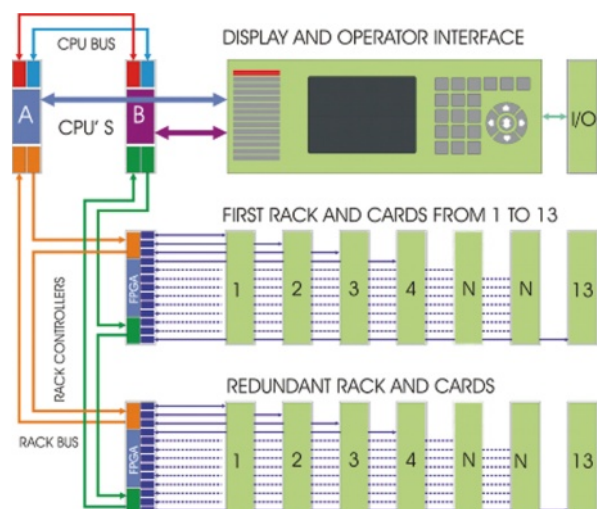
Conformity to EN 54-2

Improved system reliability and availability

CONFIGURATION SIL2



CONFIGURATION SIL3

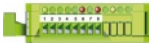


Addressable modules SSP BUS (gas detection, manual alarms, commands)



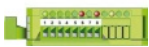
MOD-AI020 - ADDRESSABLE MODULE FOR ANALOGUE INPUT CONTROL

4-20 mA analogue input with 24V CC 500mA output for detector power supply



MOD-AV010 - ADDRESSABLE MODULE FOR ANALOGUE INPUT CONTROL

0-10 V dc analogue input with 24V CC 500mA for detector power supply



MOD-DI - 8 INPUT ADDRESSABLE MODULE

Up to 8 non-monitored digital inputs
Used on an SSP-type BUS for the supervision of voltage-free contacts



MOD-AIT - ADDRESSABLE MODULE FOR INTRUDER ALARM CONTROL

Module conforms to CEI 79-2
Receives signals from intruder detectors
4 x 12 V dc passive or active devices



MOD-DO - ADDRESSABLE CONTROL MODULE OF 8 OPEN COLLECTOR OUTPUTS

Controls up to 8 non-monitored open collector outputs
Suitable for loads up to 300 mA per output, on an SSP-type bus



MOD-DISP - LOCAL DISPLAY

255 configurable messages
Warning LEDs (alarms and faults)
Buzzer with acknowledge key

Supervision IRIDE



IRIDE

Supervision software enables site specific software

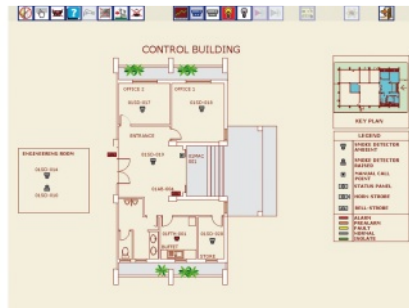


IRIDE VIDEO

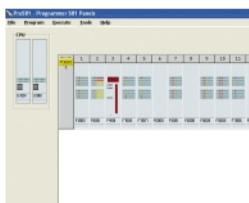
Supervision software allows video and graphical animations on a site-wide interface

EXAMPLE OF APPLICATION

Detectors location visualised
Client specific interface



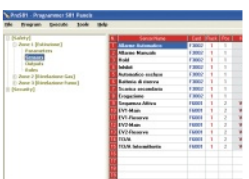
Configuration tool PRO-MSMX



PRO-MSMX

Control panel configuration software

- Configuration of detectors
- Configuration of I/O modules
- Configuration of the panel logic functions



The software allows easy configuration of all detectors

- Type
- Range
- Alarm threshold
- etc....

EXAMPLE OF CONFIGURATION SCREEN

User friendly interface
Archive and recovery functions

Code	Parameter Name	Unit	Value	Min	Max
1	Attivazione Manuale	F5001	1	2	V.OUT
2	Attivazione Automatica	F5001	1	2	V.OUT
3	Automatico Escluso	F5001	1	2	V.OUT
4	Hold	F5001	1	2	V.OUT
5	Innespinto Inibito	F5001	1	2	V.OUT
6	Batteria di riserva	F5001	1	2	V.OUT
7	Scatto Secondario	F5001	1	2	V.OUT
8	Innespinto Intervento	F5001	1	2	V.OUT
9	Arreolato Generale	F5001	1	2	V.OUT
10	Disattivazione generale	F5001	1	2	V.OUT
11	EV1-Man	F5001	1	7	*
12	EV1-Reserve	F5001	1	7	*
13	EV2-Man	F5001	1	7	*
14	EV2-Reserve	F5001	1	7	*
15	TDA Fissa	F5003	1	9	*
16	TDA Intervento	F5003	1	9	*
17	Spagnolo Tensione	F5002	1	10	*
18	V1	F7006	1	11	V.OUT
19	V2	F7006	1	11	V.OUT
20	V3	F7006	1	11	V.OUT
21	V4	F7006	1	11	V.OUT